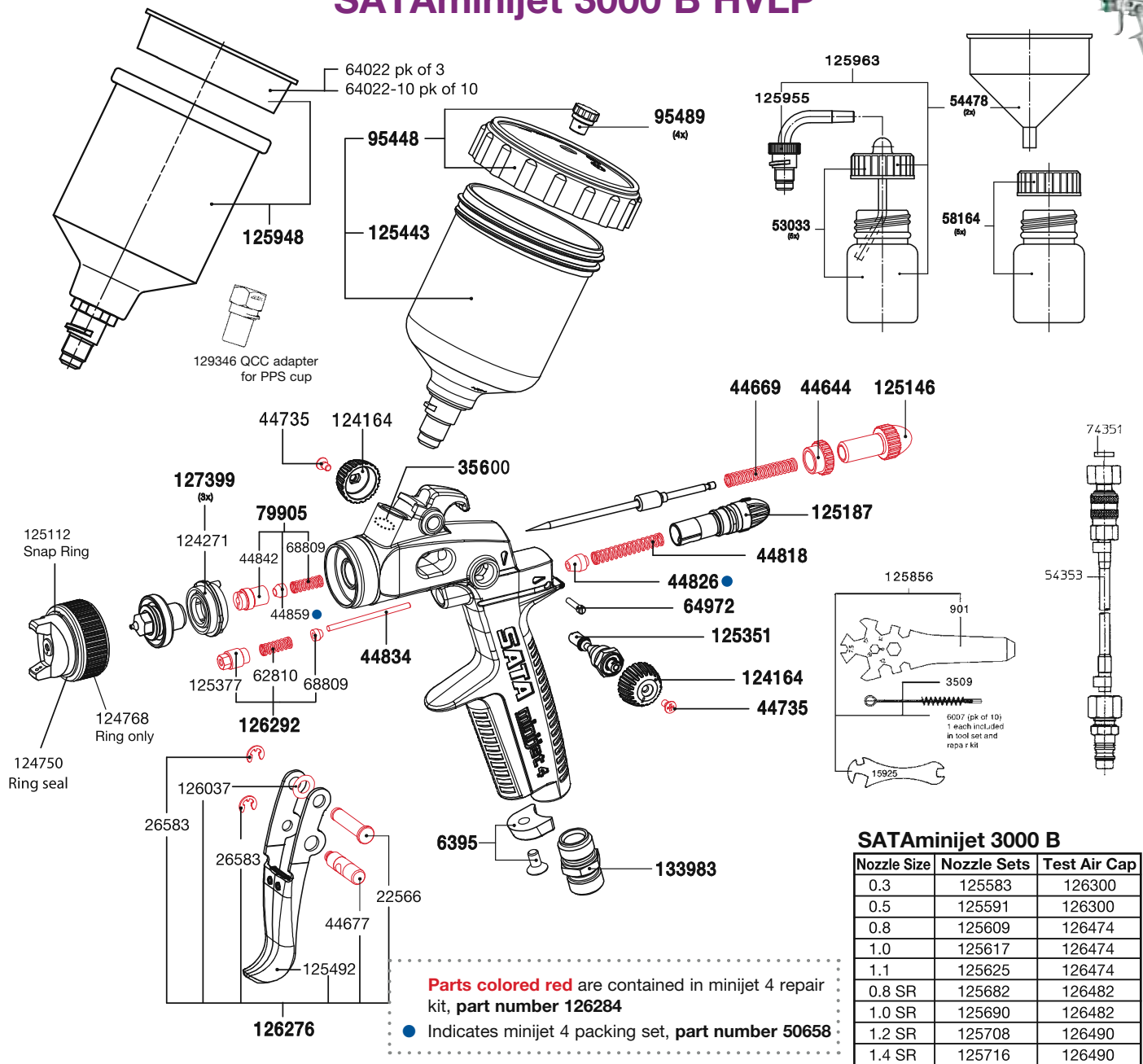


Replacement parts:



SATAmijet 3000 B HVLP



Part #	Description	Part #	Description	Part #	Description
109	Air inlet fitting, 1/4 BSP	50658	Packing set, minijet	125187	Air micrometer
901	Universal spanner wrench	53033	Set of 5 glass plug-in cups	125344	Fan control, O Ring, small
3509	Standard cleaning brush	54353	Air hose, 4 x 3m	125351	Fan control
6007	Standard brush, pk of 10	54478	Funnel, pk of 2	125377	Bushing, air piston
6395	ColorCode discs, pk of 4	58164	Set of 5 glass cups w/lid	125443	.125 L QCC plastic cup w/lid
15925	Spanner wrench, small	62810	Piston packing	125492	Trigger
22566	Pin, upper trigger	64022	.150 L cup lid, pk of 3	125856	Tool set
26583	Circlip	64022-10	.150 L cup lid, pk of 10	125948	.150 L QCC alum. cup w/lid
35600	Cup Seal	64972	Air micrometer pin	125955	Adapter, plug-in cup (QCC)
44644	Lock nut	68809	Spring, needle packing	125963	Quick color change set
44669	Spring, needle	74351	Gasket, air hose		5 cups, 2 funnels, adapter
44677	Pin, lower trigger	79905	Needle packing service set	126037	Washer, trigger pin
44735	Screw, fan control	95448	.125 L lid w/drip proof vent	126276	Trigger service set
44818	Spring, air piston	95489	Anti-drip device, pk of 4	126284	Repair kit, minijet 4
44826	Packing, air piston	124164	Knob, fan control	126292	Air piston service set
44834	Air piston	124271	Air distribution ring	127399	Air distribution ring, pk of 3
44842	Bushing, needle packing	124768	Air cap ring w/seal	129346	QCC adapter for PPS cup
44859	Packing, needle	125112	Snap ring (air cap ring)	131037	Fan control, O Ring, large
		125146	Knob, fluid control		