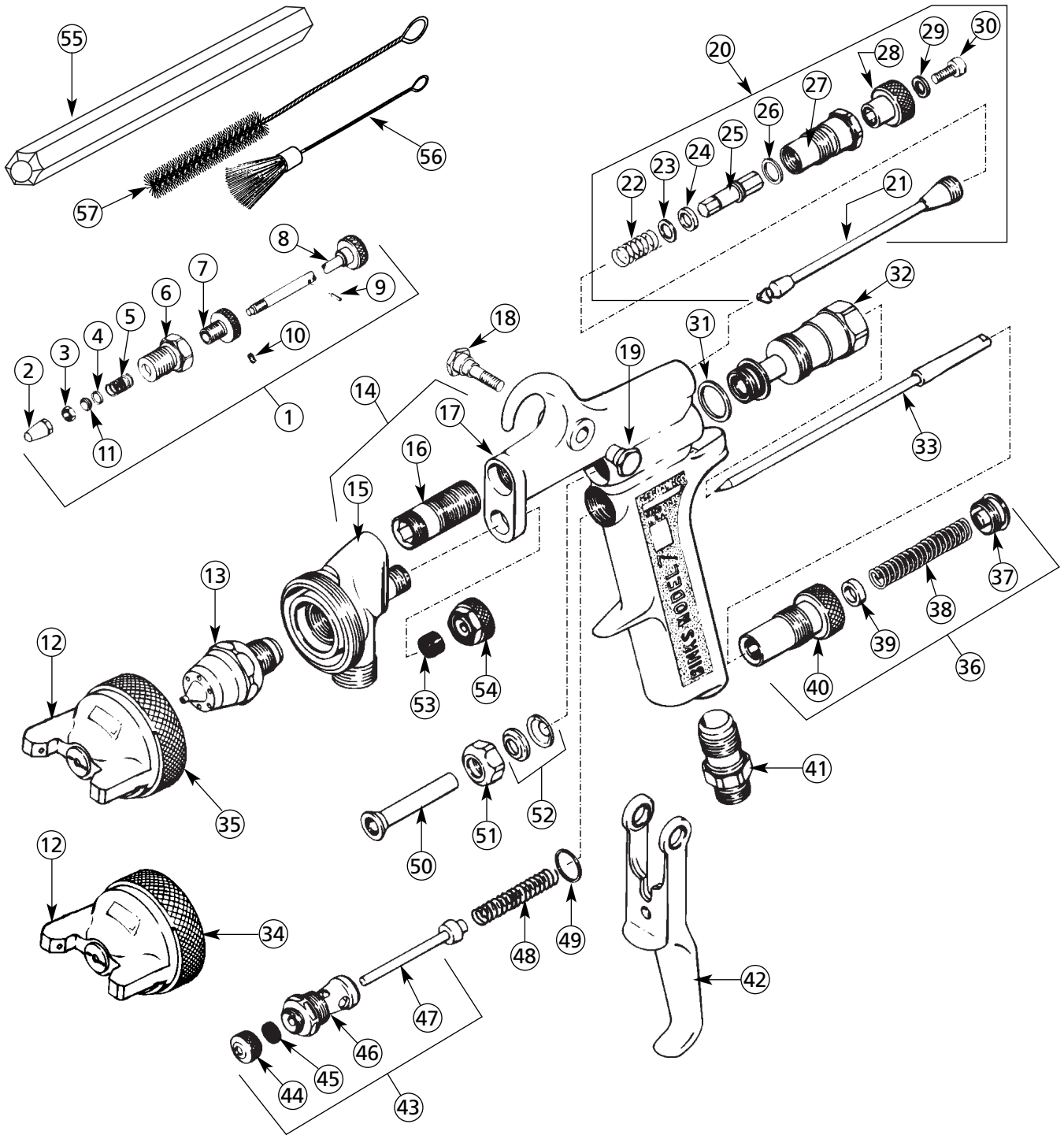


Binks MODEL 7 SPRAY GUN



PARTS LIST

When ordering, please specify Part No.

ITEM NO.	PART NO.	DESCRIPTION	QTY.	ITEM NO.	PART NO.	DESCRIPTION	QTY.
1	54-1989◆	SIDE PORT CONTROL ASSEMBLY ..	1	34	†	RING.....	1
2	54-1986●	TIP	1	35	54-704††★	RING.....	1
3	54-1808★	LOCKNUT	1	36	54-724★	FLUID CONTROL ASSEMBLY.....	1
4	55-634★	RING	1	37	54-725●	SCREW.....	1
5	54-1804●★	SPRING.....	1	38	54-728-5■□●	SPRING.....	1
6	54-1794	BODY.....	1	39	54-727●	RING	1
7	54-1790	ADJUSTING PIN.....	1	40	54-726●	BODY.....	1
8	54-1988●★	STEM	1	41	54-768★	CONNECTION	1
9	84-95●	PIN	1	42	54-753★	TRIGGER	1
10	20-3593●	SCREW.....	1	43	54-1341	AIR VALVE ASSEMBLY.....	1
11	55-541-5□●★	PACKING	1	44	54-1340	NUT	1
12	*	AIR NOZZLE.....	1	45	54-747-5■□	PACKING (Kit of 5)	1
13	*	FLUID NOZZLE.....	1	46	54-751★	BODY.....	1
14	54-706●	HEAD AND BODY ASSEMBLY	1	47	54-744■★	STEM	1
15	54-707★	HEAD	1	48	54-750-5■□●	SPRING.....	1
16	54-710★	SCREW.....	1	49	54-749-5■□	GASKET	1
17	54-711●	BODY.....	1	50	54-718★	SLEEVE.....	1
18	54-759■★	SCREW Trigger	1	51	54-721★	RETAINER.....	1
19	54-760■★	STUD Trigger	1	52	54-722-5■□	WIPER	2
20	54-729★	SIDE PORT CONTROL ASSEMBLY ..	1	53	54-764-5■□	PACKING	1
21	54-730★	STEM	1	54	54-765★	NUT	1
22	54-736■●	SPRING.....	1	55	73-165◆	WRENCH Gunhead (Optional)	1
23	54-737★	WASHER	1	56	82-221	BRUSH	1
24	54-738-5■□	PACKING (Kit of 5)	1	57	82-469	BRUSH	1
25	54-735★	SPINDLE.....	1				
26	54-739■★	GASKET	1				
27	54-734★	HOUSING.....	1				
28	54-740★	KNOB.....	1				
29	54-742●	WASHER	1				
30	54-741-5□★	SCREW.....	1				
31	54-723-5■□	GASKET	1				
32	54-717★	HOUSING	1				
33	**	NEEDLE VALVE	1				

* When ordering, please specify number stamped on nozzle.
 ** When ordering, please specify number stamped on needle stem.
 † Furnished with nozzle. See Nozzle Chart.
 †† Not Furnished with nozzle. Please order separately. See Nozzle Chart.
 ■ Available in Repair Kit 6-188. Please order separately.
 ● Items **NOT** available separately.
 ◆ Optional. Please order separately.
 □ Available only as a quantity pack.
 ★ Available from Industrial Finishing distributors only.

NOZZLE AND NEEDLE SELECTION CHART

TYPE OF FLUID VISCOSITY TO BE SPRAYED	FLUID x AIR NOZZLES†	NOZZLE TYPE ††	CFM AT			MAX. PATTERN AT 8"	FLUID◆ NEEDLE	AIR NOZZLE RETAINING RING
			30 PSI	50 PSI	70 PSI			
THIN Sealers, Lacquers, Primers, Stains, Zinc Chromates, Lubricants	33SS x 33PM	PE	10.1	15.0	20.0	10.0"	33	54-704*
	36SS x 36SD	SE	7.8	11.5	—	10.0"	36	**
MEDIUM Lacquers, Enamels, Varnishes, Shellacs, Primers, Epoxies, Urethanes, Lubricants	36SS x 36SD	SE	7.8	11.5	—	10.0"	36	**
	36SS x 36SK	SE	11.5	15.7	20.2	13.0"	36	**
MEDIUM HEAVY House Paint, Multicolors, Wrinkles	38SS x 38PM	PE	9.3	14.9	20.0	10.0"	38	**

† Fluid nozzle available in stainless steel. Please specify when ordering.
 †† PE Pressure feed, external mix. SE Siphon feed, external mix.
 * Not furnished with nozzle. Please order separately.
 ** Furnished with nozzle.
 ◆ All needles are stainless steel.

FLUID NOZZLE	33SS	33BSS	36SS	38SS
ORIFICE SIZE	.040	.046	.070	.086